

Bariatric Bed Rail



Assembly, Installation and Operating Instruction

Model No. #8035

SAVE THESE INSTRUCTIONS

NOTE: Check all parts for shipping damage. In case of damage, DO NOT use. Contact Carrier/ by PMI for further instructions.

NOTE: A brochure entitled "A Guide to Bed Safety; Bed Rails in Hospitals, Nursing Homes and Home Health Care: The Facts" can be found on the FDA's website at <http://www.fda.gov/cdrh/beds/>.

SAFETY SUMMARY

To ensure the safe and proper installation of the Bariatric Bed Rail, these instruction MUST be followed:

⚠ WARNING

DO NOT install or use this equipment without first reading and understanding these instructions. If you are unable to understand the Warnings, Cautions or Instructions, contact a healthcare professional, dealer or technical personnel before attempting to install this equipment- otherwise, injury or damage may occur.

PMI recommends the use of two (2) sets of half length bed rails one (1) set at the **HEAD END** of the bed ,and one (1) set at the **FOOT END** of the bed where permitted.

When used with a manual/electrical bed, the bed rails **DO NOT** fall under any weight limitations. Bed rails can be deformed or broken if excessive pressure is exerted on the bed rails. These bed rails are used for the purpose of preventing an individual from inadvertently rolling out of bed. The bed rails are **NOT** intended nor may be used for restraint purposes. If an individual is capable of injuring himself/herself, a physician or a healthcare professional should be consulted for alternative means of safe restraint.

Replacement mattresses and bed rails with dimensions **DIFFERENT** than the original equipment supplied or specified by the bed manufacturer are **NOT** interchangeable. Variations in bed rail design, width and thickness or firmness of the mattress could cause/contribute to entrapment. Use **ONLY** authorized PMI replacement parts.

PMI products are specifically designed and manufactured for use in conjunction with PMI accessories. Accessories designed by other manufactures have not been tested by PMI and are **NOT** recommended for use with PMI products.

DO NOT use the bed rails as push handles when moving the bed.

This bed rail is **NOT** a handhold for getting into or out of bed.

⚠️ INSTALLATION WARNING

After any adjustments, repair or service and BEFORE use, make sure all attaching hardware is tightened securely.

Always test to make sure that the bed rails are properly and securely in place before using.

PMI recommends that the mattress be centered on the bed frame.

Otherwise, entrapment may occur between the bed rail and the bed frame.

After raising/lowering the head/foot end of the manual/electric bed, check the distance between the bottom of the bed rail and the mattress. If there is excessive distance between the bottom of the bed rail and the mattress in which entrapment may occur, adjust the height of the bed rail (if applicable), OR provide alternative means of patient protection.

Unless the bed rail is in the lowest position, ensure that the plunger pins fully protrude through the adjustment hole of each rail tube. This ensures that the bed rail is securely locked in position.

INSTALLING/REMOVING THE BED RAIL MOUNTING BRACKETS

NOTE: Reverse this procedure to remove the bed rail mounting brackets.

⚠️ WARNING

Because of the heavier weight limitations associated with the Bariatric Bed, the Bariatric Bed Rails are shipped with two (2) bed rail mounting brackets. These bed rail mounting brackets are designed to support heavier weight limitations and MUST be used when installing half length bed rails onto the Bariatric Bed.

NOTE: The bed rails can be mounted on either the head and/or foot ends of the bed.

1. Locate the two (2) bed rail mounting holes on the head or foot ends of the bed frame.
2. Align the bed rail mounting bracket mounting holes with the two (2) bed rail mounting holes.
3. Using two (2) mounting bolts, washers and locknuts, secure the bed rail mounting bracket to the bed frame. Securely tighten.
4. Repeat STEPS 1-3 to install the remaining bed rail mounting brackets.

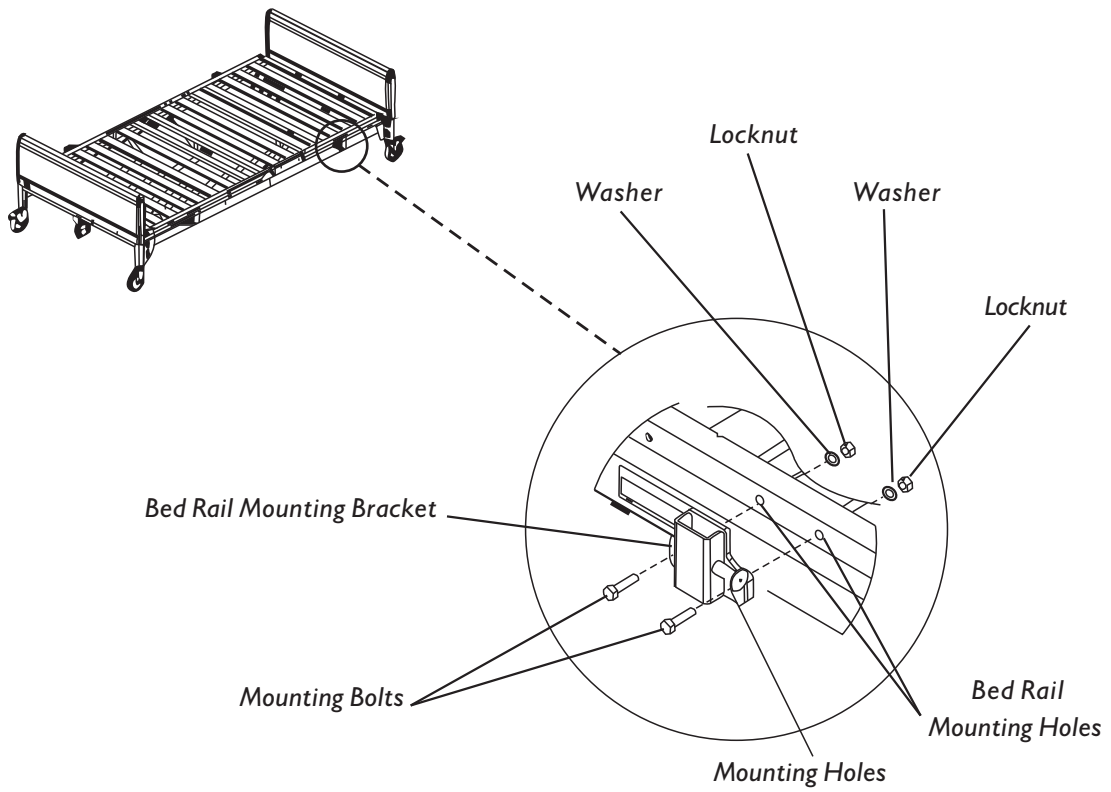


FIGURE I - INSTALLING/REMOVING THE BED RAIL MOUNTING BRACKETS

INSTALLING/RAISING/LOWERING THE BED RAILS

⚠ WARNING

PMI recommends that the mattress be centered on the bed frame. Otherwise, entanglement may occur between the bed rail and the bed frame.

When used with a manual/electrical bed, the bed rails **DO NOT** fall under any weight limitations. Bed rails can be deformed or broken if excessive bed pressure is exerted on the bed rails. These bed rails are used for the purpose of preventing an individual from in advertently rolling out of bed. The bed rails are **NOT** intended nor may be used for restraint purposes. If an individual is capable of injuring himself/herself, a physician or a healthcare professional should be consulted for alternative means of safe restraint.

After raising/lowering the head/foot end of the manual/electric bed, check the distance between the bottom of the bed rail and the mattress. If there is excessive distance between the bottom of the bed rail and the mattress in which entrapment may occur, adjust the height of the bed rail (if applicable), **OR** provide alternative means of patient protection.

INSTALLING

1. Pull and hold the plunger pin on the bed rail mounting bracket.
2. Insert bed rail post into bed rail mounting bracket.
3. Release the plunger pin.
4. Raise the bed rail until the plunger pin "clicks" securely into the adjustment hole, or lower the bed rail until the top support of the bed rail rests securely against the top bed rail mounting bracket.
5. Repeat STEPS 1-4 to install the other bed rail(s).

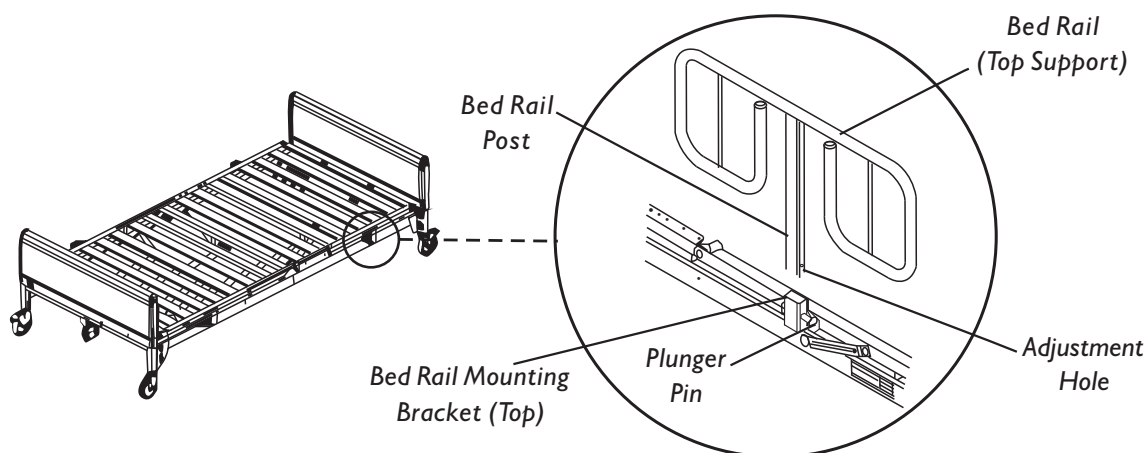


FIGURE 2 - INSTALLING/RAISING/LOWERING THE BED RAILS

RAISING/LOWERING THE BED RAILS

NOTE: The bed rails have two positions, raised (UP) and lowered (down).

RAISING

1. Pull plunger pin and grasp the top support of the bed rail.
2. Pull up on bed rail and release the plunger pin.
3. Pull up on bed rail until the plunger pin engages the adjustment hole. An audible “click” will be heard.

LOWERING

1. Grasp the top support of the bed rail and pull plunger pin.
2. Lower the bed rail and release the plunger pin.
3. Lower bed rail until the top support is resting on the bed rail mounting bracket.

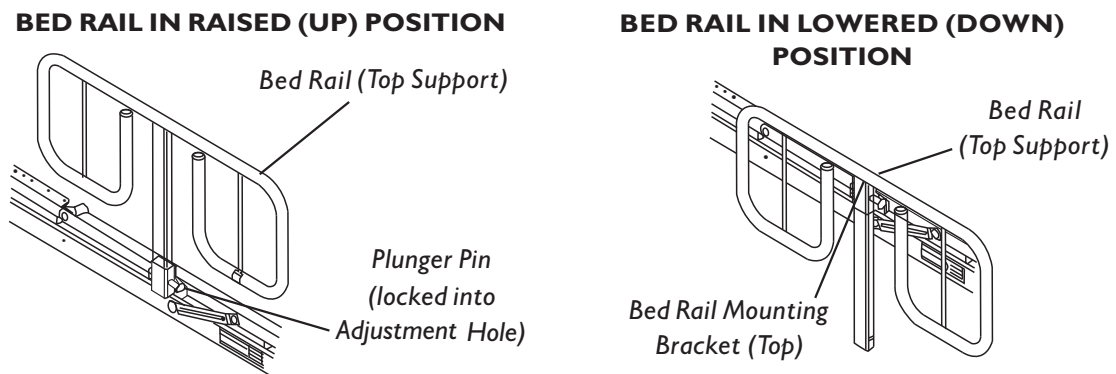


FIGURE 3 - RAISING/LOWERING THE BED RAILS

NOTES

LIMITED WARRANTY

PLEASE NOTE: THE WARRANTY BELOW HAS BEEN DRAFTED TO COMPLY WITH FEDERAL LAW APPLICABLE TO PRODUCTS MANUFACTURED AFTER JULY 4, 1975.

This warranty is extended only to the original purchaser/user of our products.

This warranty gives you specific legal rights and you may also have other legal rights which vary from state to state.

PMI warrants its product to be free from defects in materials and workmanship for two (2) years for the original purchaser. If within such warranty period any such product shall be proven to be defective, such product shall be repaired or replaced, at PMI's option. This warranty does not include any labor or shipping charges incurred in replacement part installation or repair of any such product. PMI's sole obligation and your exclusive remedy under this warranty shall be limited to such repair and/or replacement.

For warranty service, please contact the dealer from whom you purchased your PMI product. In the event you do not receive satisfactory warranty service, please write directly to PMI at the address below. Provide dealer's name, address, model number, date of purchase, indicate nature of the defect and, if the product is serialized, indicate the serial number.

PMI will issue a return authorization. The defective unit or parts must be returned for warranty inspection using the serial number, when applicable, as identification within thirty (30) days of return authorization date. DO NOT return products to our factory without our prior consent. C.O.D. shipments will be refused; please prepay shipping charges.

LIMITATIONS AND EXCLUSIONS: THE WARRANTY SHALL NOT APPLY TO PROBLEMS ARISING FROM NORMAL WEAR OR FAILURE TO ADHERE TO THE ENCLOSED INSTRUCTIONS. IN ADDITION, THE FOREGOING WARRANTY SHALL NOT APPLY TO SERIAL NUMBERED PRODUCTS IF THE SERIAL NUMBER HAS BEEN REMOVED OR DEFACED; PRODUCTS SUBJECTED TO NEGLIGENCE, ACCIDENT, IMPROPER OPERATION, MAINTENANCE OR STORAGE; OR PRODUCTS MODIFIED WITHOUT INVACARE'S EXPRESS WRITTEN CONSENT INCLUDING, BUT NOT LIMITED TO: MODIFICATION THROUGH THE USE OF UNAUTHORIZED PARTS OR ATTACHMENTS; PRODUCTS DAMAGED BY REASON OF REPAIRS MADE TO ANY COMPONENT WITHOUT THE SPECIFIC CONSENT OF INVACARE; PRODUCTS DAMAGED BY CIRCUMSTANCES BEYOND INVACARE'S CONTROL; PRODUCTS REPAIRED BY ANYONE OTHER THAN AN AUTHORIZED INVACARE DEALER, SUCH EVALUATION SHALL BE SOLELY DETERMINED BY INVACARE.

THE FOREGOING EXPRESS WARRANTY IS EXCLUSIVE AND IN LIEU OF ANY OTHER WARRANTIES WHATSOEVER, WHETHER EXPRESS OR IMPLIED, INCLUDING THE IMPLIED WARRANTIES OF MERCHANTABILITY AND FITNESS FOR A PARTICULAR PURPOSE, AND THE SOLE REMEDY FOR VIOLATIONS OF ANY WARRANTY WHATSOEVER, SHALL BE LIMITED TO REPAIR OR REPLACEMENT OF THE DEFECTIVE PRODUCT PURSUANT TO THE TERMS CONTAINED HEREIN. THE APPLICATION OF ANY IMPLIED WARRANTY WHATSOEVER SHALL NOT EXTEND BEYOND THE DURATION OF THE EXPRESS WARRANTY PROVIDED HEREIN. INVACARE SHALL NOT BE LIABLE FOR ANY CONSEQUENTIAL OR INCIDENTAL DAMAGES WHATSOEVER.

THIS WARRANTY SHALL BE EXTENDED TO COMPLY WITH STATE/ PROVINCIAL LAWS AND REQUIREMENTS.

